

Topcon XW-1

Electric Steering Wheel

Economical Agriculture Machine Steering



Compatible with many agricultural machines, the Topcon XW-1 electric steering wheel provides reliable steering control in a convenient, economical and durable form. This factory replacement wheel features an easy-to-use interface with integrated buttons and LEDs for control and diagnostics, high durability designed for open-cab environments, PUR textured material for comfort, and easy installation for convenience or to be used across vehicle platforms.

- » [Proven electric steering control](#)
- » [Easy-to-use interface](#)
- » [High durability \(IP66 rated\)](#)
- » [Easy installation and setup](#)

Electrical / Mechanical

Supply Voltage (Note: Voltage measured at XW-1 connector input pins.)	12 - 16V: normal operation 9 - 11V: motor operation derated 6 - 9V: communication and diagnostic only
Nominal Static Torque	4Nm @0rpm - unlimited time
Peak Static Torque	8Nm @0rpm - for 30s
Dynamic torque	5Nm @60rpm - for 30s

Physical

Sealing	IP66, in operation conditions
Vibrations	Sinusoidal vibration test: IEC 60068-2-6 Random vibration test: ISO 15003:2006(E) - 5.6.1 Shock test: IEC 60068-2-27 (2003) ISO 15003 (2006) - 5.5.2
Temperature	Operational: -30°C to +70°C (full specs) Storage: -40°C to +85°C

Inputs / Outputs

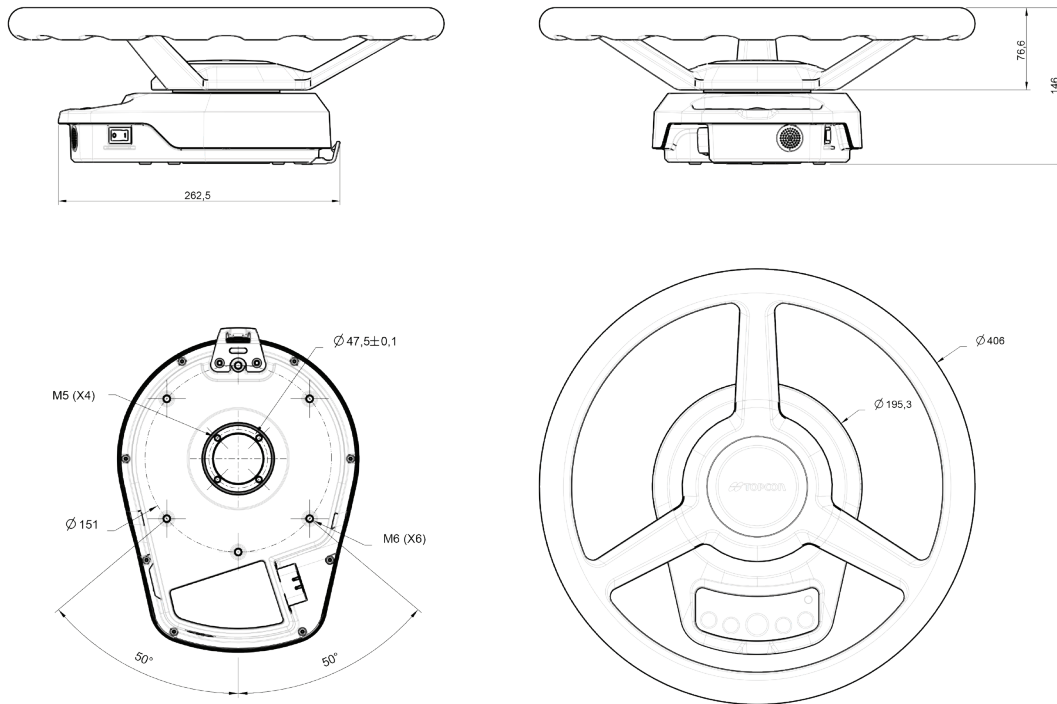
1x CAN-bus interface	1 CAN bus line (compliant ISO 11898-2 and 5) Up to 1 Mbit/s) - J1939 protocol
1x Wheel Angle sensor	Support for 5V Wheel Angle Sensor (WAS)
2x Auxiliary inputs	Auxiliary inputs for remote engage and seat switch
Keyboard	6 push-button keyboard with multi-colour LEDs

Topcon XW-1

Electric Steering Wheel

Economical Agriculture Machine Steering

Dimensions



Note: dimensions are in millimeters (mm)